

XMS750

Divo

UK

2.1 Music System with iPod™ dock

USER GUIDE



Please read this User Guide before operating your Speaker System.
Please keep this User Guide for future reference.

Care & Safety Warning

Please read the User Guide before operating your Speaker System. This will enable you to set-up and operate DIVO correctly and fully use all of its features. Please keep the User Guide for future reference.

- Handle with care. Avoid strong impacts.
- Avoid positioning the speaker and docking station cables where they might present a hazard to people walking nearby.
- **DO NOT** position the active subwoofer on a shelf or lightly built structure as the vibrations may cause objects to fall.
- Unplug the Power adaptor from the mains supply when away on vacation (to conserve energy) or during lightning storms (for safety). Always take care not to overload mains power outlets.
- **ONLY** use the supplied power adaptor with DIVO.
- **DO NOT** use the product near water or

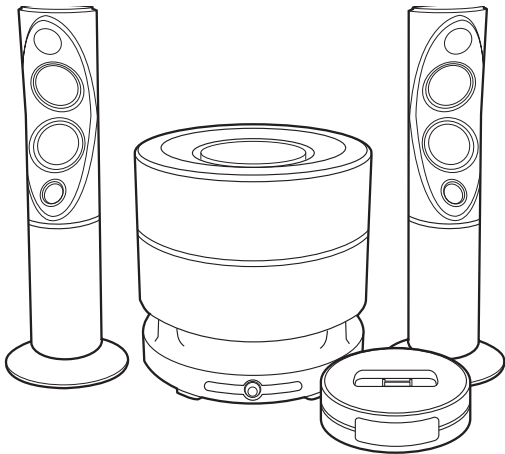
allow liquids to spill into any part of the system.

- **DO NOT** block ventilation openings.
- **DO NOT** place close to heaters or radiators.
- This product contains no user-serviceable parts. Dismantling any part of the system may invalidate your warranty and give risk of electric shock. Refer servicing to qualified personnel only.
- To remove dust use a soft, dry cloth. Use a cloth dampened only with water to remove marks. Do not use solvents, chemicals or sprays to clean the unit.

Unpacking your IXOS® Speaker System

Check the packaging for the following contents:

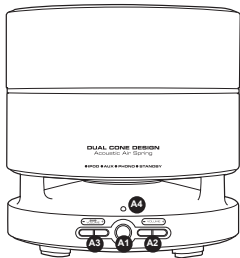
- iPod docking station
- Active subwoofer
- Satellite loudspeakers x 2
- Remote control
- Control cable
- IXOS auxiliary cable
- IXOS loudspeaker cable (0.5m) x 2
- IXOS loudspeaker cable (4.5m) x 2
- Power adaptor
- iPod adaptors x 6



Active subwoofer

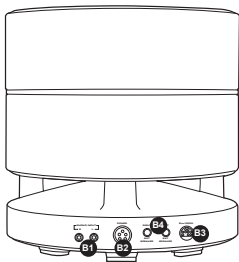
Front View

- A1. Power / Mode Button
- A2. System volume Up / Down
- A3. Bass volume Up / Down
- A4. Power and Mode indicator LED



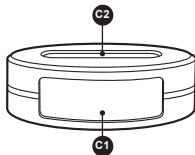
Rear View

- B1. Phono inputs
- B2. Power input
- B3. Control cable input
- B4. Loudspeaker outputs

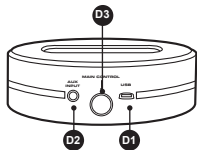


iPod docking station

- C1. Display
- C2. Universal iPod dock

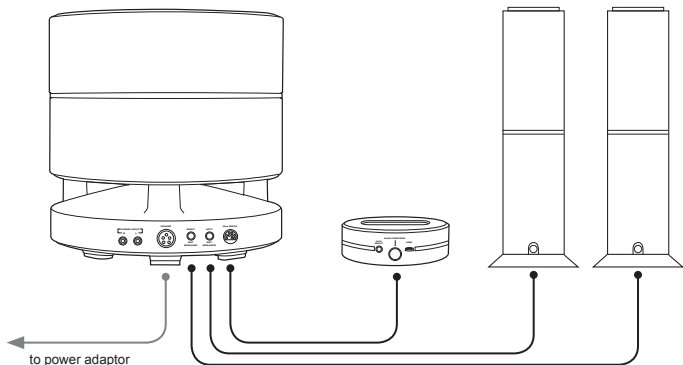


- D1. USB (iPod sync to iTunes)
- D2. Auxiliary audio input
- D3. Control cable output



Connecting the DIVO

DIVO has been supplied with two lengths of loudspeaker cable making it possible to integrate into a variety of living spaces

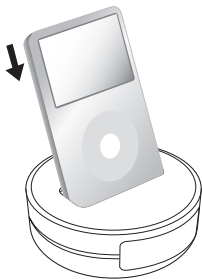


NOTE:

- Use the shorter loudspeaker cables when connecting DIVO in restricted space
- The iPod docking station contains the remote control sensor therefore this should be placed in view
- DO NOT position the active subwoofer on a shelf or lightly built structure as the vibrations may cause objects to fall
- ONLY use the supplied power adaptor with DIVO

Connecting the iPod

DIVO incorporates the Apple Universal docking well with 30pin connector



Universal Dock Adaptors (supplied)*



- Fit your iPod's corresponding adaptor into the Universal iPod dock (**C2**)
- Position your player firmly onto the 30pin connector ensuring that it is correctly aligned
- Select "iPod" as the source using the mode button on remote control or subwoofer
- Control the iPod as normal or by using the remote control

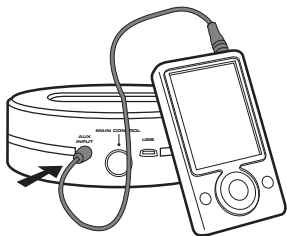
*If your iPod is not shown above, please use the universal dock adaptor provided with your hardware

Synchronising your iPod

DIVO features a mini USB socket cable on the rear of the iPod docking station (**D1**). This allows your iPod to be synchronised with iTunes while connected to the DIVO

Auxiliary audio input

The auxiliary audio input (**D2**) can be used for connecting a music player with 3.5mm output



- Use the supplied auxiliary cable to connect your source to the auxiliary audio input (**D2**)
- Select “Auxiliary” as the source using mode button on the remote control or subwoofer
- Music playback is controlled using your music player

Phono inputs

The phono inputs can be used for connecting home devices with RCA outputs such as; CD/DVD players, receivers etc

- Use a stereo phono cable (not supplied) to connect the audio output of the home device to the phono inputs (**B1**) of the DIVO
- Select “Phono” as the source using the mode button on the remote control or subwoofer
- Music playback is controlled using your home device

Operating DIVO

- To switch DIVO on, press and hold the Power/Mode button (**A1**) until the power LED illuminates (**A4**)
- To change input source, press and release the Power/Mode button (**A1**)
The LED will change colour:

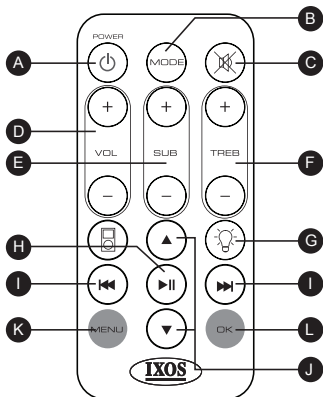


GREEN = iPod
ORANGE = Auxiliary
RED = Phono

- To adjust system volume press and release the corresponding system volume button (**A2**)
- To adjust bass volume press and release the corresponding system volume button (**A3**)
- To switch DIVO off press and hold the Power/Mode button (**A1**) until the power LED goes out

Operating DIVO using the remote

- A. Power button
- B. Mode button
- C. Mute
- D. System volume Up / Down
- E. Bass volume Up / Down
- F. Treble volume Up / Down
- G. Display light toggle
- H. iPod Play/Pause
- I. iPod Previous / Next Track
- J. iPod menu navigation Up / Down
- K. iPod menu mode
- L. iPod OK/Select



Troubleshooting your DIVO

Problem	Possible Solution
Will my iPod™ fit in the docking station?	DIVO is supplied with a selection of docking adaptors to fit the most popular models of iPod™ player. Your iPod™ will have been supplied with a standard docking adaptor which can also be used (excludes shuffle and other models not compatible with iPod's 30-pin interface).
There is no sound or poor sound quality	<ol style="list-style-type: none">1. Ensure that all cables are fully inserted in their corresponding input/output sockets.2. Where applicable, ensure that the iPod™ is firmly connected on to the connector of the docking station.3. Check that you have selected the music source (iPod™, AUX or PHONO) correctly.4. Check the music source is playing. Many MP3 players pause playback whenever a connection is interrupted.5. Check your music player's volume level setting.6. If your MP3 player has built-in tone controls or audio equaliser, set these to flat.7. If you hear distortion from the subwoofer, reduce the SUB level immediately.
Do I use AUX or PHONO inputs to connect my audio player?	The AUX input on the docking station is intended for temporary connection of portable music players using their headphone output. The PHONO inputs are for more permanent connection of CD or DVD players, or the audio output from a satellite receiver or video recorder.

Problem	Possible Solution
The remote control handset does not change functions	<ol style="list-style-type: none"><li data-bbox="291 197 946 249">1. Ensure that the sender bulb on the front edge of the remote control is pointing towards the docking station.<li data-bbox="291 249 917 301">2. Objects positioned between the handset and the docking station may mask the control signal.<li data-bbox="291 301 959 394">3. Try operating the remote control close to the docking station. If the functions now work, it is likely that the battery in the handset needs to be replaced.
Display on/off function	The dock display will initially show IXOS while the DIVO system is powering up. If preferred, the display may be switched off while the DIVO is playing. Use the 'light bulb' button (G) on the remote control handset.

Technical Specifications

System

Total power (rms): 48 Watts

Frequency response: 20Hz to 20kHz

Speaker

Drivers: 2 x 50mm midrange

1 x 15mm tweeter

Dimensions: 300mm height x 60mm diameter
(105mm including base)

Weight: 0.6kg

Subwoofer

Drivers: 1 x 155mm AAS (Acoustic Air Spring)

1 x 155mm bass driver

Dimensions: 185mm height x 190mm diameter

Weight: 3kg

iPod Dock

Connector: 30 pin "Made for iPod"

Dimensions: 110mm height x 32mm diameter

Weight: 0.26kg

Power Supply

Input voltage: 100V to 240V

Output voltage: 2 x 14 Volts (dual rail supply)

Current: 2 x 1.8 Amp

with local laws relating to this directive.

Limited Warranty

IXOS® provides Limited Warranty against defects in materials or manufacturing. This Warranty lasts one year from the date of purchase. Defects that have resulted from improper or unreasonable use or caused by an accident, servicing, excess moisture, improper packaging, lightning strikes, power surges or unauthorised tampering, alteration or modification are not covered.

WEEE Information

This product is classified as Electrical and Electronic Equipment (EEE). Should the time come for you to dispose of this product please ensure that you do so in accordance with the European Waste of Electrical and Electronic Equipment Directive (WEEE) and in compliance with local laws relating to this directive.



Additional Information

Important

Every effort has been made to provide accurate usage guidance. IXOS® disclaims liability for any difficulties arising from the misinterpretation of information contained within this guide.

As part of a continuous product development programme, IXOS® Limited reserves the right to alter specifications without prior notice. IXOS® is a registered trademark of IXOS® Limited

Path Group Ltd, Dormer Road, Thame Industrial Estate, Thame, Oxfordshire OX9 3UD, UK Tel: +44 (0) 1844 219 000

www.ixos.co.uk **www.ixos-usa.com**

iPod is a trademark of Apple Inc., registered in the U.S. and other countries

iTunes is a trademark of Apple Inc., registered in the U.S. and other countries

For your convenience we recommend that you record the serial number (the eight digit number beginning 750xxxxx on the side of the packaging) and other purchase information below:

Model name/part no:	IXOS® DIVO			XMS750			
Serial number:	7	5	0				
Date purchased:							
Retailer's name:							
Retailer's address:							



www.ixos.co.uk